

ATELIER PURCELL

TUYA SECTIONAL SOFA



ATELIER PURCELL

TUYA SECTIONAL SOFA

FEET

Natural Walnut, Dark Walnut,
Ebonized Walnut, Carbon Walnut,
Natural Oak, Onyx Oak

COM Required:

COM requirements are
located on alongside their
specification drawings.

COL Required:

COL requirements are
located on alongside their
specification drawings.



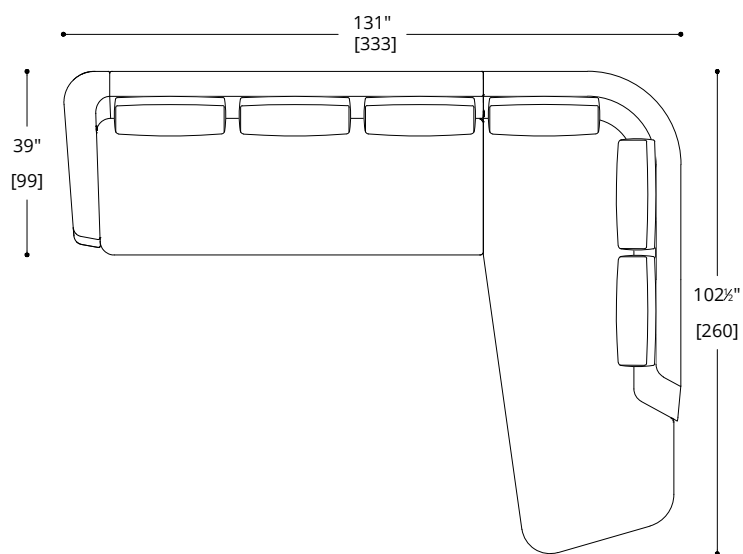
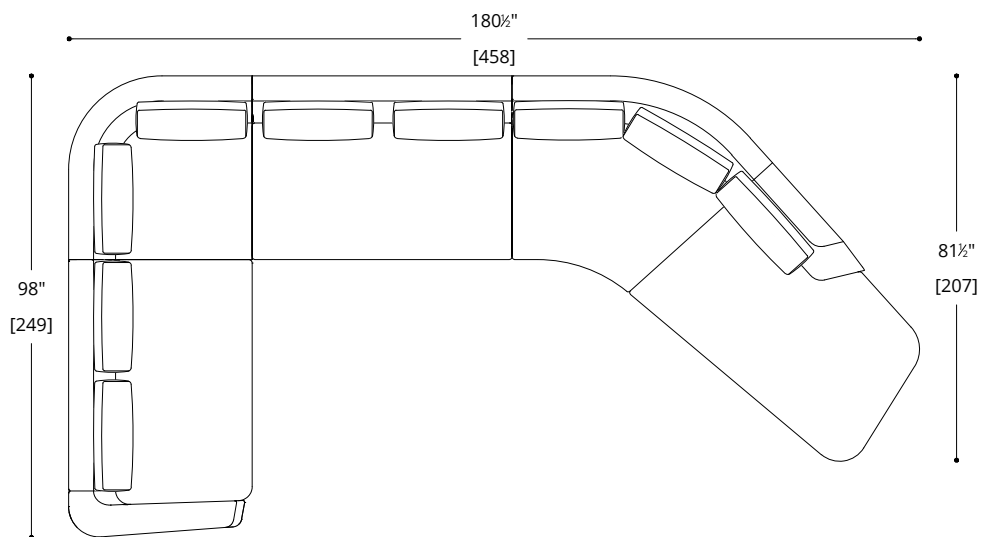
NOTES:

PLEASE CONFIRM DETAILS OF THIS TEAR SHEET WITH YOUR LOCAL SALES ASSOCIATE.

Purcell Design reserves the right to make technological and aesthetic improvements to its models, including changes to the sizes and materials, without notice. The technical drawings do not define the details of the product. The measurements shown are indicative and may undergo changes. In particular, the dimensions relevant to the padded parts are subject to usage tolerances over time caused by the normal adjustment of the padding. For specific information, please contact us directly or the dealer closest to you.

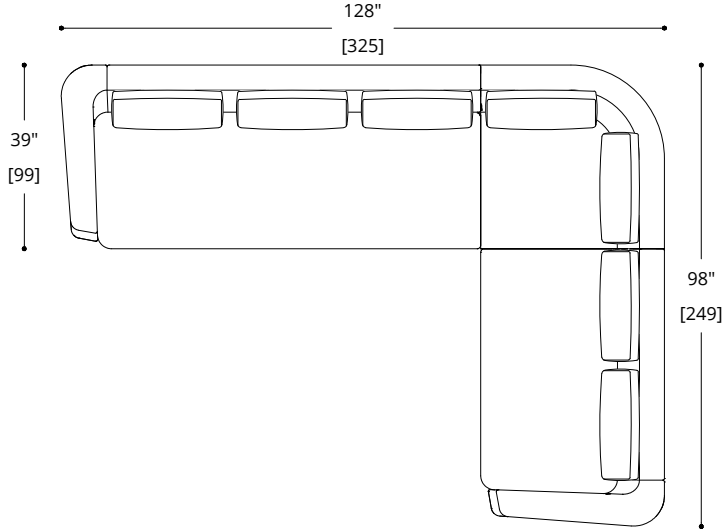
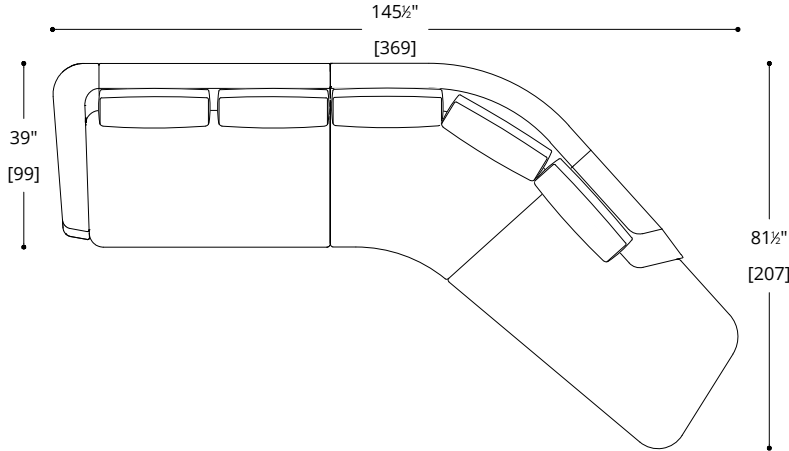
ATELIER PURCELL

TUYA SECTIONAL SOFA, Components



ATELIER PURCELL

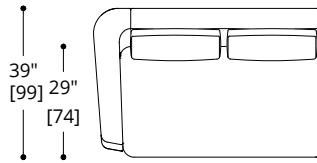
TUYA SECTIONAL SOFA, Components



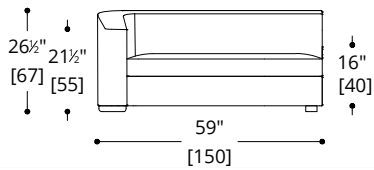
ATELIER PURCELL

TUYA SECTIONAL SOFA, Components

ARM MODULE 59" LEFT



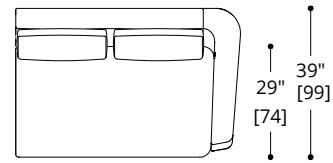
39"
[99]
29"
[74]



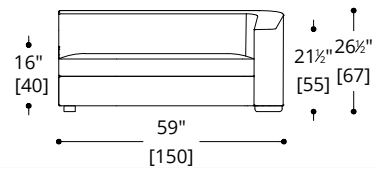
26 1/2"
[67]
21 1/2"
[55]

59"
[150]
16"
[40]

ARM MODULE 59" RIGHT



39"
[99]
29"
[74]



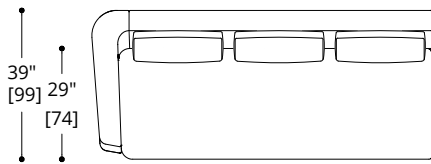
16"
[40]

21 1/2"
[55]
26 1/2"
[67]

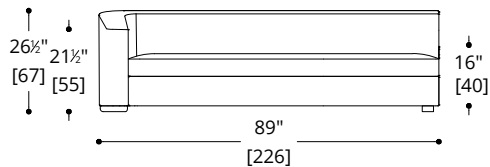
59"
[150]

COM Required:
Base, Back & Arm 6.5 yd
Seat 4 yd
COL Required:
Base, Back & Arm 117ft²
Seat 72 ft²
pillow COM/L not included
2 Back Pillows recommended

ARM MODULE 89" LEFT



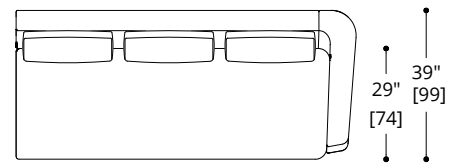
39"
[99]
29"
[74]



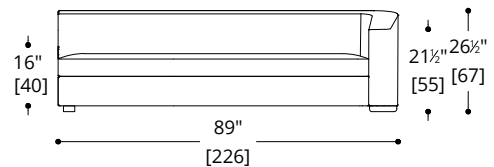
26 1/2"
[67]
21 1/2"
[55]

89"
[226]
16"
[40]

ARM MODULE 89" RIGHT



39"
[99]
29"
[74]



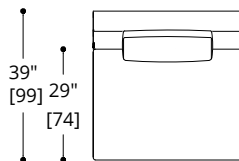
16"
[40]

21 1/2"
[55]
26 1/2"
[67]

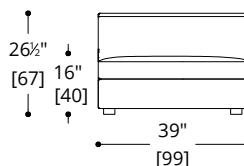
89"
[226]

COM Required:
Base, Back & Arm 8.5 yd
Seat 5 yd
COL Required:
Base, Back & Arm 153 ft²
Seat 90 ft²
pillow COM/L not included
3 Back Pillows recommended

CENTRAL MODULE 39"



39"
[99]
29"
[74]



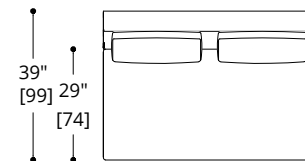
26 1/2"
[67]
16"
[40]

39"
[99]

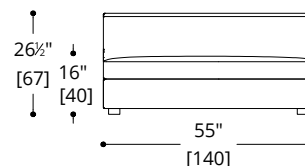
CENTRAL MODULE 39"

COM Required
Base & Back 4.5 yd
Seat 3.5 yd
COL Required:
Base & Back 81 ft²
Seat 63 ft²
pillow COM/L not included
1 Back Pillow recommended

CENTRAL MODULE 55"



39"
[99]
29"
[74]



26 1/2"
[67]
16"
[40]

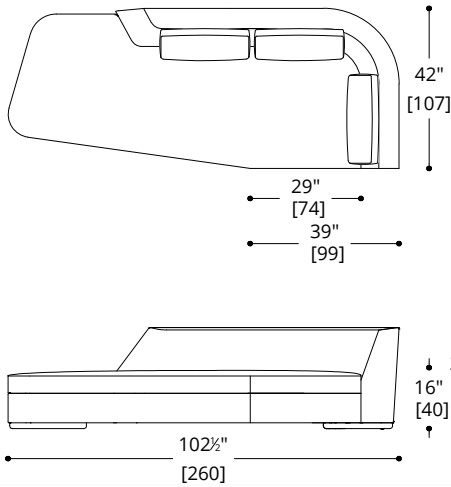
55"
[140]

COM Required
Base & Back 5.5 yd
Seat 4 yd
COL Required:
Base & Back 99 ft²
Seat 72 ft²
pillow COM/L not included
2 Back Pillows recommended

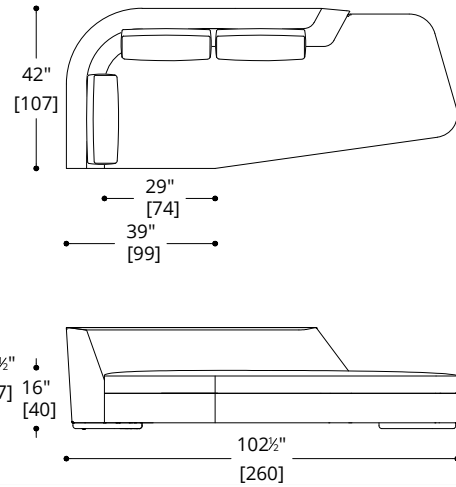
ATELIER PURCELL

TUYA SECTIONAL SOFA, Components

SQUARE CHAISE LONGUE LEFT



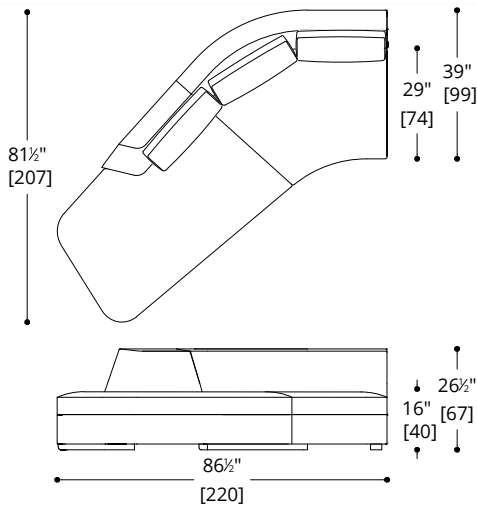
SQUARE CHAISE LONGUE RIGHT



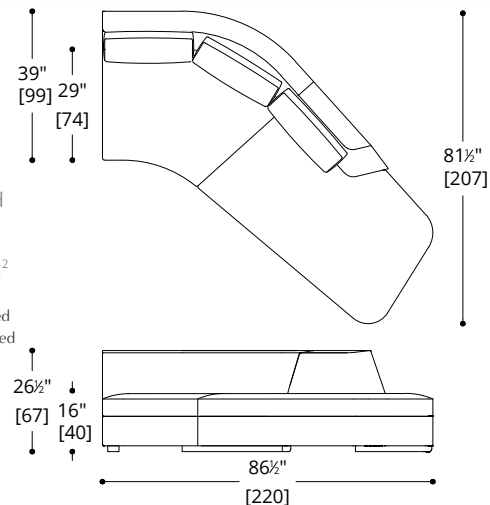
COM Required:
Base & Back 9.5 yd
Seat 5.5 yd
COL Required:
Base & Back 161 ft²
Seat 99 ft²

pillow COM/L not included
3 Back Pillows recommended

OFF-ANGLE CHAISE LONGUE LEFT



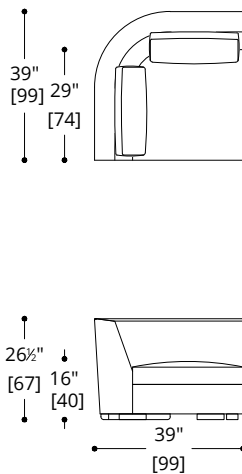
OFF-ANGLE CHAISE LONGUE RIGHT



COM Required:
Base & Back 11.5 yd
Seat 7 yd
COL Required:
Base & Back 207 ft²
Seat 126 ft²

pillow COM/L not included
3 Back Pillows recommended

CORNER MODULE



COM Required:
Base & Back 5 yd
Seat 3.5 yd
COL Required:
Base & Back 90 ft²
Seat 63 ft²

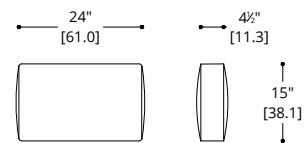
pillow COM/L not included
2 Back Pillows recommended

BACK CUSHION (each)
COM Required: 1 yd
COL Required: 18 ft²

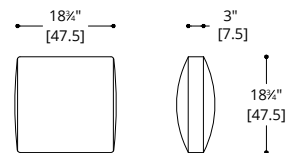
SQUARE PILLOW (each)
COM Required: 0.75 yd
COL Required: 13.5 ft²

KNIFE PILLOW (each)
COM Required: 0.5 yd
COL Required: 9 ft²

BACK PILLOW



SQUARE PILLOW



KNIFE PILLOW

